

**OvensPlatform**Viale Treviso, 15  
33170 Pordenone - Italy  
Fax: +39 0434-380577**06 GN 1/1 ELECTRIC STEAM - CONVECTION OVEN**  
**FORNO CONVEZIONE- VAPORE ELETTRICO 06 GN 1/1**

PNC	Model	Ref.	Page	Notes
267 000	AOS061EAA1	a	2-3-4-5-6-7	Level/Livello A
268 000	AOS061EBA1	b	2-3-4-5-6-7	Level/Livello B
267 020	AOS061EAN1	c	2-3-4-5-6-7	Level/Livello A
268 020	AOS061EBN1	d	2-3-4-5-6-7	Level/Livello B
267 030	AOS061EAC1	e	2-3-4-5-6-7	Level/Livello A
268 030	AOS061EBC1	f	2-3-4-5-6-7	Level/Livello B
267 010	AOS061EAH1	g	2-3-4-5-6-7	Level/Livello A
268 010	AOS061EBH1	h	2-3-4-5-6-7	Level/Livello B
269 000	AOS061ECA1	i	2-3-4-5-6-7	Level/Livello C
269 010	AOS061ECH1	l	2-3-4-5-6-7	Level/Livello C
269 020	AOS061ECN1	m	2-3-4-5-6-7	Level/Livello C
267 040	AOS061EAE1	n	2-3-4-5-6-7	Level/Livello A
268 040	AOS061EBE1	o	2-3-4-5-6-7	Level/Livello B
267 050	AOS061EAF1	p	2-3-4-5-6-7	Level/Livello A
268 050	AOS061EBF1	q	2-3-4-5-6-7	Level/Livello B
267 100	AOS061EAK1	r	2-3-4-5-6-7	Level/Livello A
268 100	AOS061EBK1	s	2-3-4-5-6-7	Level/Livello B
267 080	AOS061EAM1	t	2-3-4-5-6-7	Level/Livello A
267 090	AOS061EAB1	u	2-3-4-5-6-7	Level/Livello A



PLATON SERVICE  
8 (800) 500-3444  
www.platonservice.com

**Index**

Pag. 2	Oven cabinet and door
3	Water system
4	Boiler
5	Electrical components
6	Tray support
7-10	Spare part list

**Indice**

Cella forno e porta
Impianto idraulico
Boiler
Componenti elettrici
Struttura portateglie
Lista ricambi

**Brand / Marchio : ELECTROLUX****Factory code: 9PDD**

OV / DOC

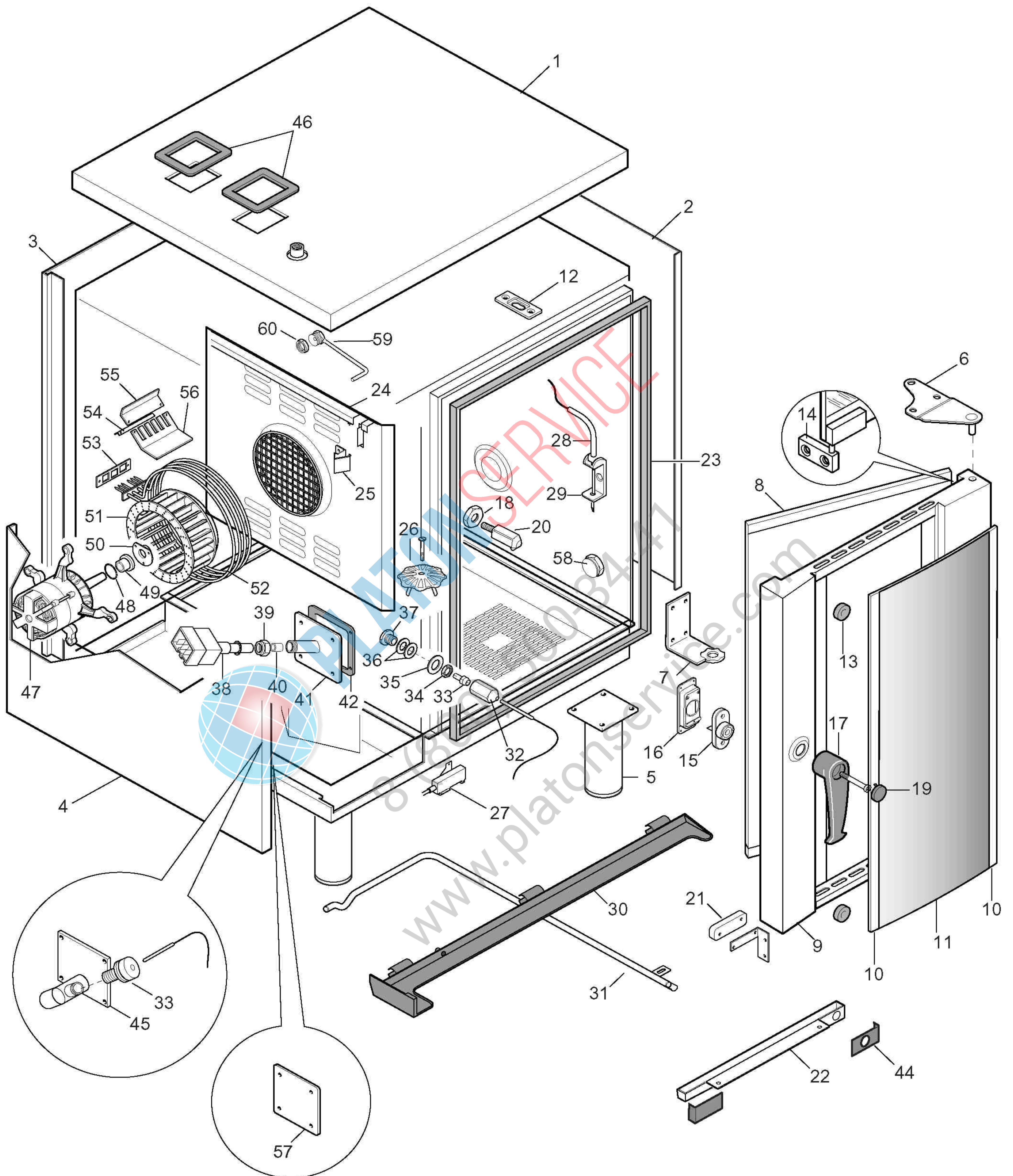
From ser. nr. / Da Ser. Nr.: ...

Page: 1 Ed. 2009 10

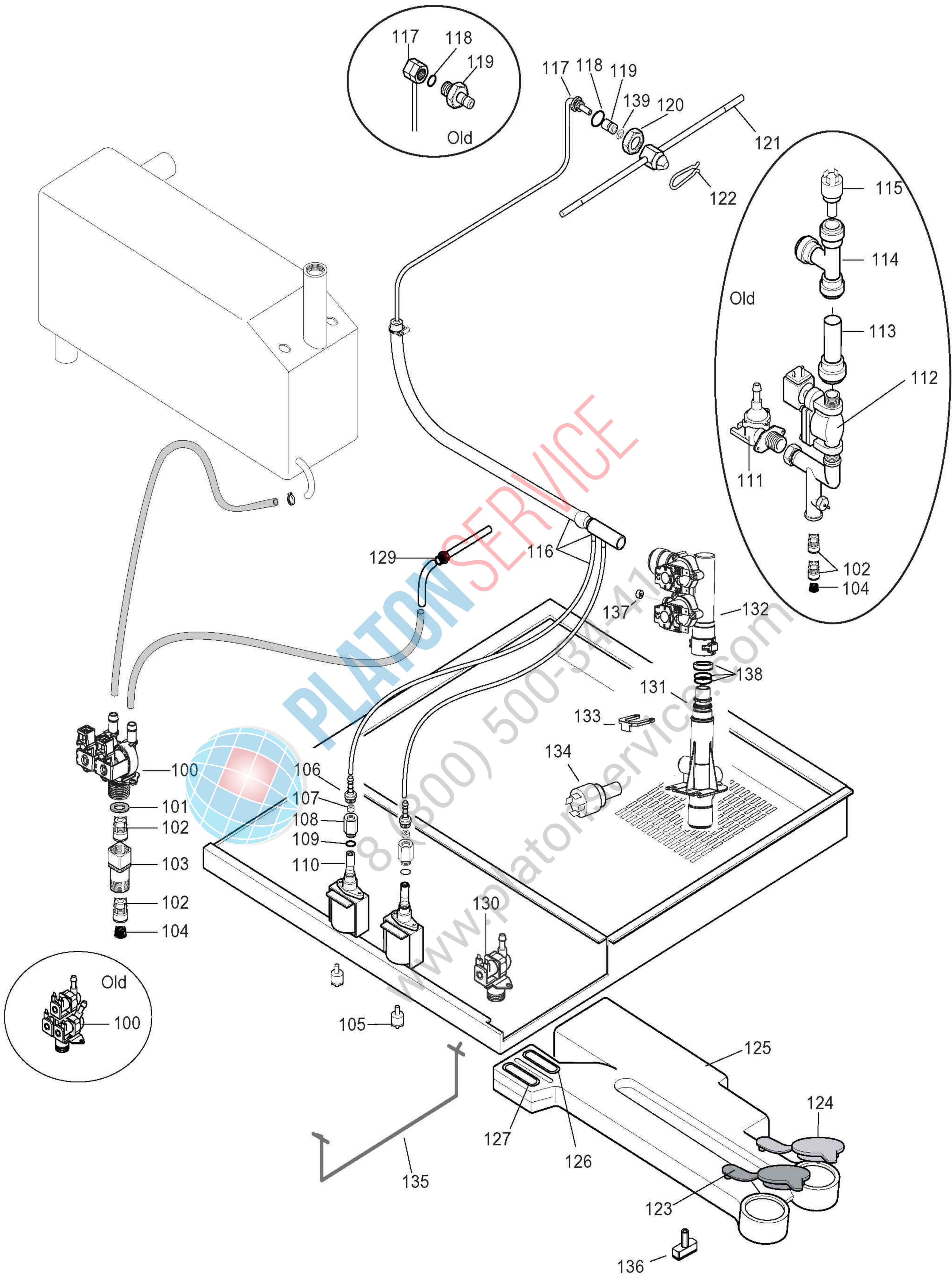
Doc. Nr.:

**3 - 13 600**

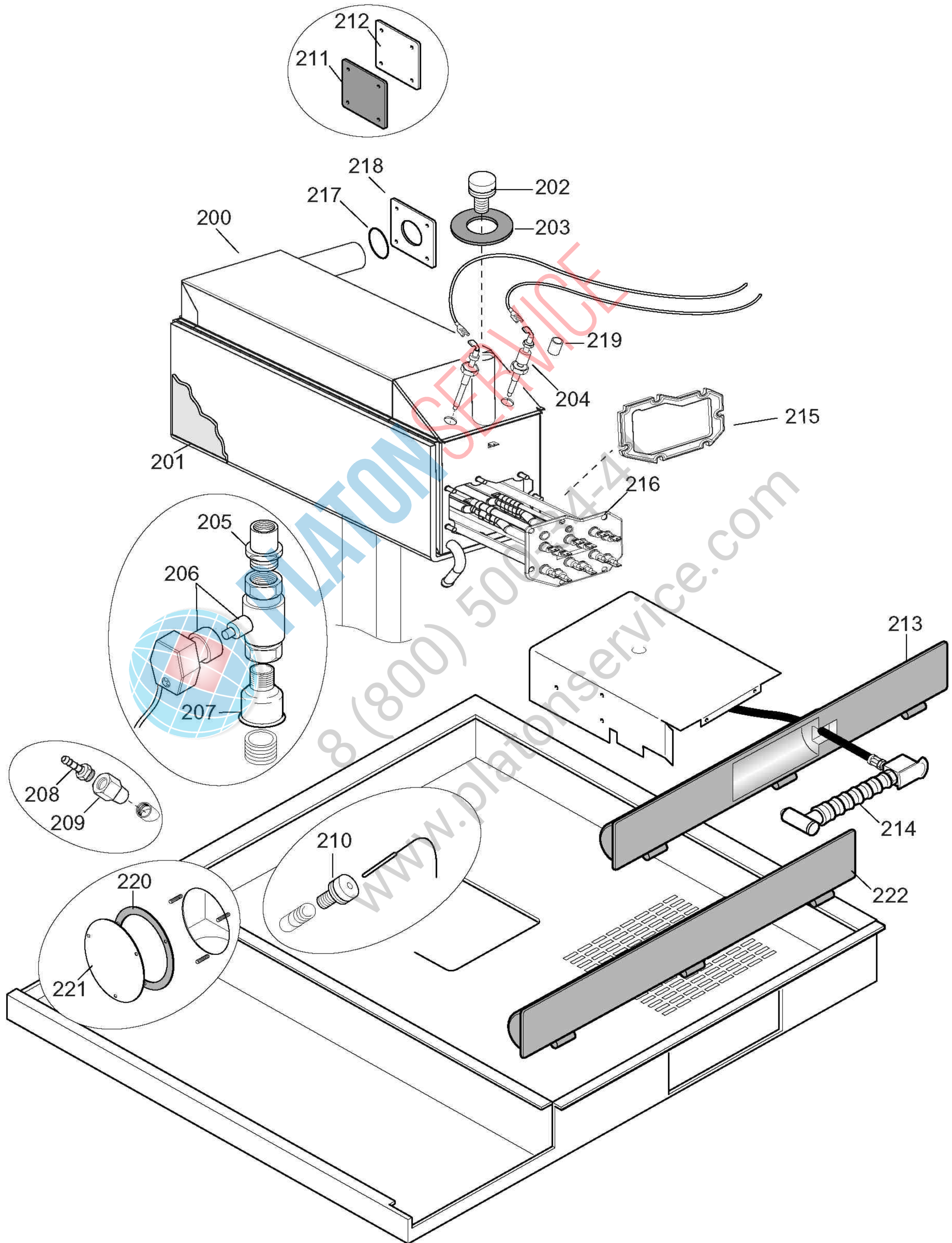




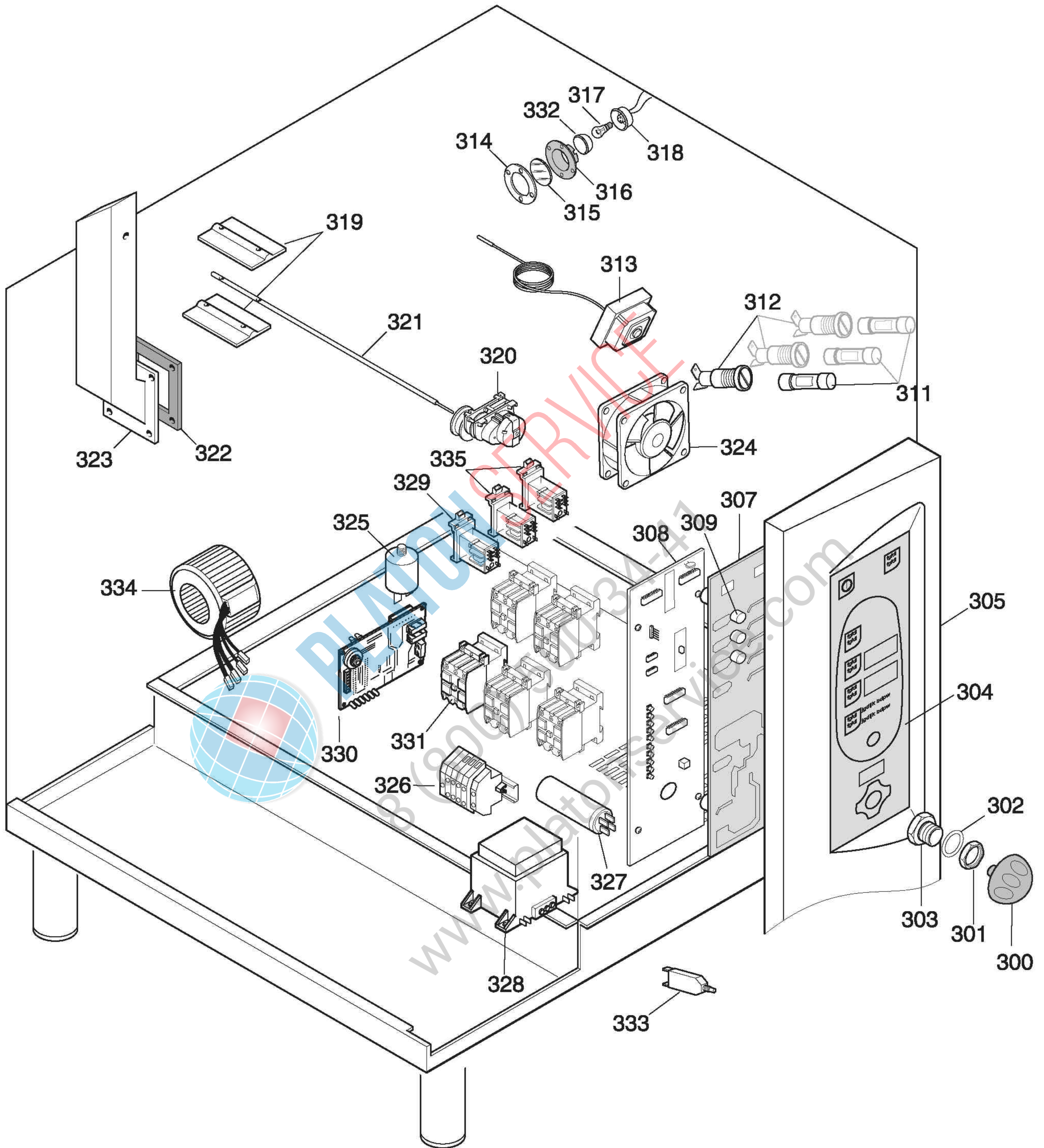




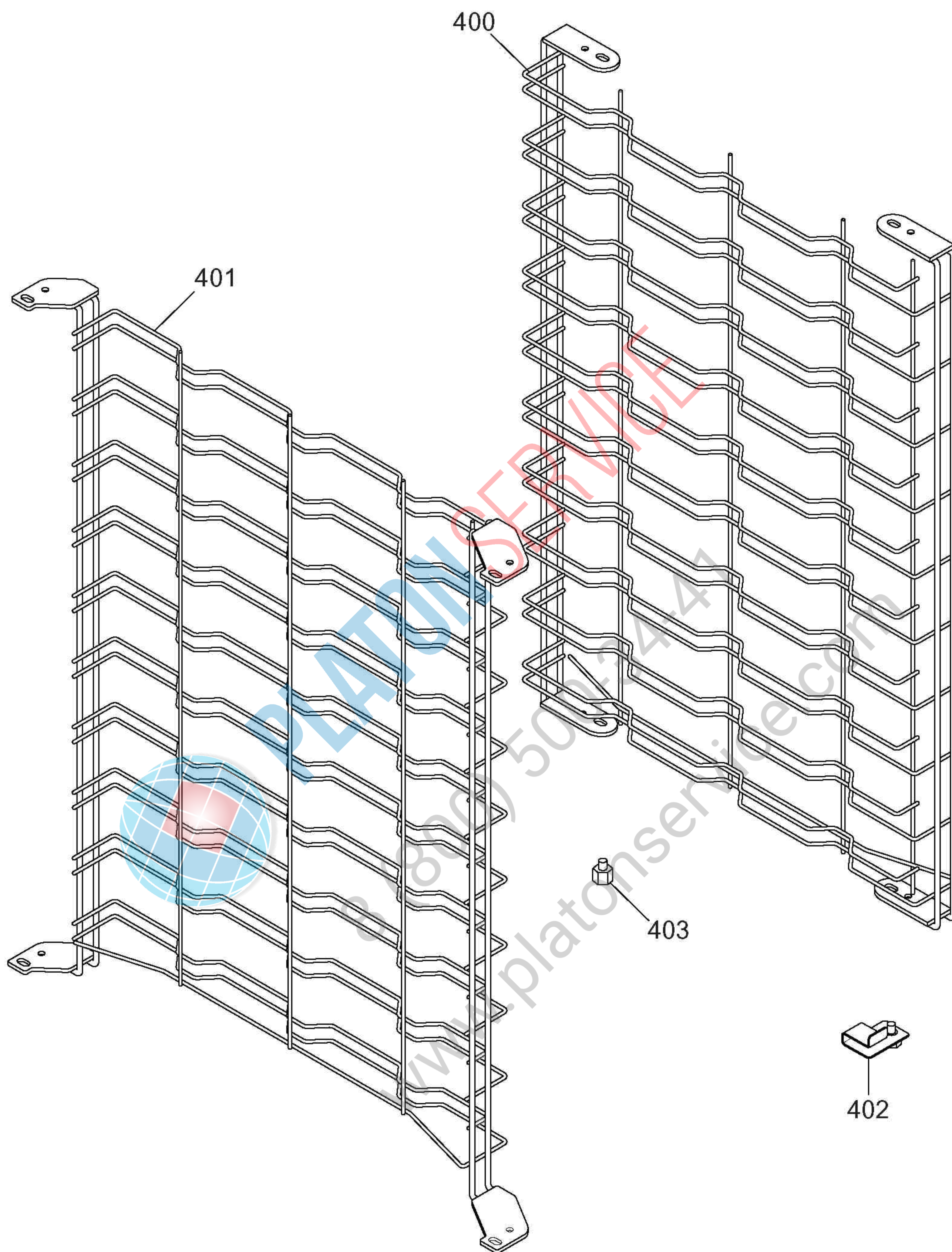














PNC	Model	Ref	Group	Level	Page	Notes
237000	FCZ061EAA	a	FCZ	Level A	2...11	400V 3N 50hz
237010	FCZ061EAH	b	FCZ	Level A	2...11	400V 3N 50Hz P80
237020	FCZ061EAN	c	FCZ	Level A	2...11	230V 3N
238000	FCZ061EBA	d	FCZ	Level B	2...11	400V 3N 50hz
238010	FCZ061EBH	e	FCZ	Level B	2...11	400V 3N 50Hz P80
238020	FCZ061EBN	f	FCZ	Level B	2...11	230V 3N
238030	FCZ061EBC	g	FCZ	Level B	2...11	200V 3 60Hz Japan
239000	FCZ061ECA	h	FCZ	Level C	2...11	400V 3N 50hz
239010	FCZ061ECH	m	FCZ	Level C	2...11	400V 3N 50Hz P80 model
239020	FCZ061ECN	n	FCZ	Level C	2...11	230V 3N
267000	AOS061EAA1	o	AOS	Level A	2...11	400V 3N 50hz
267010	AOS061EAH1	p	AOS	Level A	2...11	400V 3N 50Hz P80 model
267020	AOS061EAN1	q	AOS	Level A	2...11	230V 3N
267030	AOS061EAC1	r	AOS	Level A	2...11	200V 3 60Hz Japan
267040	AOS061EAE1	s	AOS	Level A	2...11	440V 3 Marine
267050	AOS061EAF1	t	AOS	Level A	2...11	400V 3 Marine
267080	AOS061EAM1	u	AOS	Level A	2...11	208V 3 USA
267090	AOS061EAB1	v	AOS	Level A	2...11	240V 3 USA
267100	AOS061EAK1	z	AOS	Level A	2...11	400V 3N UK version
267110	AOS061EAT1	A	AOS	Level A	2...11	400V - 3N China
268000	AOS061EBA1	B	AOS	Level B	2...11	400V 3N 50hz
268010	AOS061EBH1	C	AOS	Level B	2...11	400V 3N 50Hz P80 model
268020	AOS061EBN1	D	AOS	Level B	2...11	230V 3N
268030	AOS061EBC1	E	AOS	Level B	2...11	200V 3 60Hz Japan
268040	AOS061EBE1	F	AOS	Level B	2...11	440V 3 Marine
268050	AOS061EBF1	G	AOS	Level B	2...11	400V 3 Marine
268100	AOS061EBK1	H	AOS	Level B	2...11	400V 3N UK version
269000	AOS061ECA1	L	AOS	Level C	2...11	400V 3N 50hz
269010	AOS061ECH1	M	AOS	Level C	2...11	400V 3N 50Hz P80 model
269020	AOS061ECN1	N	AOS	Level C	2...11	230V 3N

Pag	Index	Indice	Note
2	Oven cabinet and door.	Cella forno e porta	
3	Water system	Impianto idraulico	
4	Boiler	Boiler	
5	Electrical components	Componenti elettrici	
6	Accessories	Accessori	
7...10	Spare parts list	Lista ricambi	

